

"Cair" offers 3/2 - 2/2 way pneumatic diaphragm operated Precise Regulating control valve for Steam & Hot Water

**Size Range : 1/2" To 12" Flanged**

**Salient Feature**

- ▶ Precise Regulating with High flow capacity
- ▶ Large type of trim Top Operating designs for various duty conditions
- ▶ In line Repairable Design for easy maintenance
- ▶ Tight closure even in extreme operating conditions
- ▶ Multi action type Actuator (Direct / Reverse acting)
- ▶ Wide Range of actuators to meet different application

**Diaphragm Actuator Specifications :**

Actuator	Diaphragm & Multi Spring type, Air to Open / Air to Close as a standard (Piston actuators / electrical actuator on request)
Pneumatic Pressure	1.44 Kgs to 2.44 Kgs for more Detail refer to Technical Table Catalogue No. 1066

**Technical Specifications :**

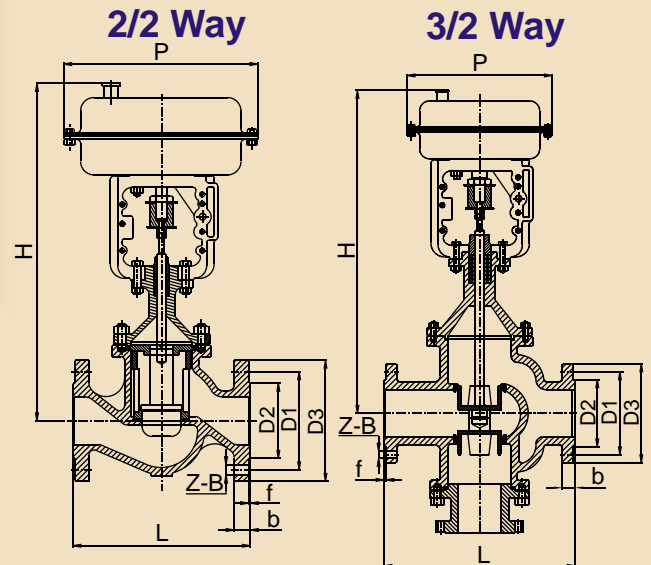
Body & Bonnet	ASTM A216 Gr. WCB (ASTM A351 Gr. CF8 / CF8M)
Internals	S.S. 304 [316 (Hard facing when required) Other material On Request]
Gland Packing	Teflon / Grafoil
Trim Design	Contoured parabolic / Cage guided / Pressure balanced
Characteristic	Linear / Equal percentage / ON - OFF (Quick opening)
End Connections	Flanged end ANSI B16.5 CL 150 [300 / 600 available On Request]
Pressure Rating	ANSI B16.5 CL 150 / 300 / 600
Leakage	ANSI B16.104 CL IV for metal to metal seating. (Class V & Class-VI leak tightness with soft seating On Request)



**Accessories :**

- ▶ 3/2 Way Solenoid Valve in all Standard Coil Voltage (Flame Proof Solenoid Coil - on request)
- ▶ I/P Transducer (Converter)
- ▶ Pneumatic valve positioner
- ▶ Electro-Pneumatic valve positioner
- ▶ Manual Over - ride (Clutch Type)
- ▶ Limit Switch for On / Off Indication at Panel board
- ▶ Filter + Regulator Combination with Pressure Gauge
- ▶ Air Lock Valve

**Dimensions :**



(All Dimensions are in mm)

Valve Model	Size		Class 150										Class 300				
	MM	Inch	H	P	L	D1	D2	D3	b	f	Z-B	L	D1	D2	D3	b	f
CKD - 15	15	1/2"	425	288	178	60.5	35	89	11.5	1.6	4-16	190	66.5	35	95	14.3	1.6
CKD - 20	20	3/4"	430	288	181	70	43	98	12.7	1.6	4-16	194	82.5	43	117	15.9	1.6
CKD - 25	25	1"	455	288	184	79.25	51	108	14.3	1.6	4-16	197	89	51	124	17.5	1.6
CKD - 32	32	1.1/4"	160	288	200	89	64	117.3	15.9	1.6	4-16	213	98.5	64	133	19.5	1.6
CKD - 40	40	1.1/2"	470	288	222	98.5	73	127	17.5	1.6	4-16	235	114.5	73	156	20.7	1.6
CKD - 50	50	2"	485	360	254	120.5	92	152	19.1	1.6	4-19	267	127	92	165	22.3	1.6
CKD - 65	65	2.1/2"	620	360	276	139.5	105	178	22.3	1.6	4-19	292	149	105	190	25.4	1.6
CKD - 80	80	3"	630	470	298	152.5	127	190	23.9	1.6	4-19	317	168	127	210	28.6	1.6
CKD - 100	100	4"	700	470	352	190.5	157	229	23.9	1.6	8-19	368	200	157	254	31.8	1.6
CKD - 150	150	6"	815	470	451	241	216	279	25.4	1.6	8-22	473	270	216	318	36.6	1.6
CKD - 200	200	8"	875	470	553	298.5	270	342	28.6	1.6	8-22	568	330	270	381	41.3	1.6
CKD - 250	250	10"	-	580	673	362	324	406	30.2	1.6	12-25	708	387.5	324	444	47.7	1.6
CKD - 300	300	12"	-	580	737	432	381	483	31.8	1.6	12-25	775	451	381	521	50.8	1.6